



### Specification

<b>Style:</b>	Contemporary
<b>Product Type:</b>	Bathroom Tap
<b>Main Construction Material:</b>	Brass
<b>Mount Type:</b>	Deck Mounted
<b>Handle Type:</b>	Lever
<b>Connection Inlet:</b>	3/4" BSP
<b>Connection Outlet:</b>	N/A
<b>Number of Tap Holes:</b>	2
<b>Valve/Cartridge Type:</b>	¼ turn ¾" Ceramic Disc Valves
<b>Plumbing System Requirements:</b>	Ideally Balanced
<b>Working Pressure Range:</b>	Min. 0.2, Max. 5.0
<b>Maximum Hot Water Temperature: °C</b>	65
<b>Maximum Dynamic Pressure: (bar)</b>	5
<b>Maximum Static Pressure: (bar)</b>	10
<b>Flow Type:</b>	Single
<b>Flow Rate: (l/min @ 3 bar)</b>	100.8
<b>Isolation Included:</b>	No

### Features:

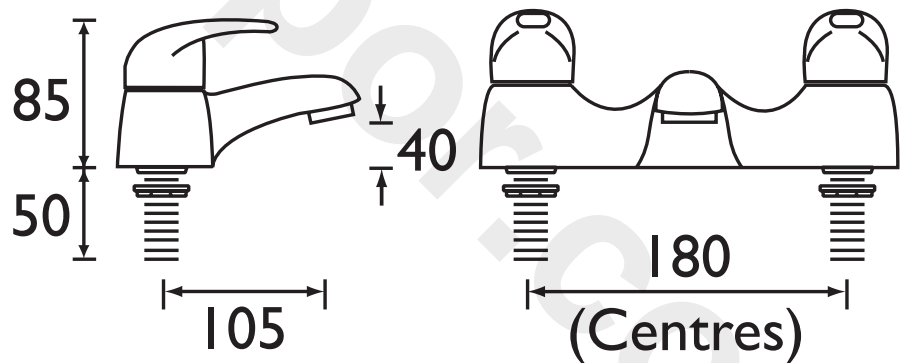
- Brass construction
- Ceramic disc valve for smooth flow control
- Easy-to-use lever handles
- Side action popup waste included
- Metal fixing nut for durability

### Product Certifications:



WRAS Certificate No: 1609012  
WRAS Expiry Date: 30/09/2021

### Dimensions (measurements in mm)



For more products, visit our website:  
<http://www.bristan.com>



### Flow Rates (l/min)

System Pressure (bar)	0.2	0.5	1	2	3	5
J B F C	22.1	39.7	57.5	82.3	100.8	130.2

## TECHNICAL DATA SHEET



# BRISTAN

TAPS & SHOWERS D8